

# Installation Procedure

**VaVie WE-UF-01**

**Tritech Water Technologies Pte Ltd  
2, Kaki Bukit Place,  
06-00, Tritech Building  
Singapore 416180**

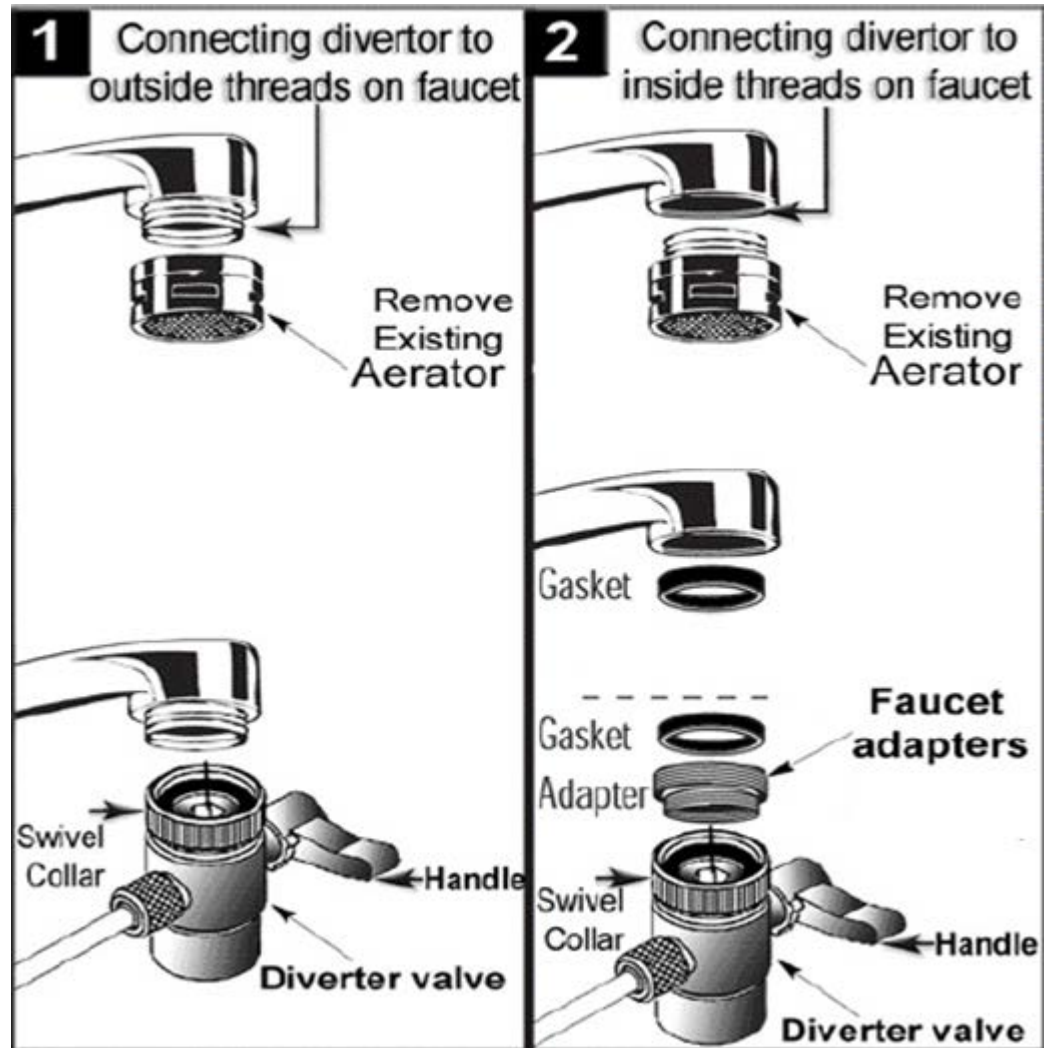
## WE-UF-01 model installation

1. Place the purifier on a table top or near the kitchen sink for easy piping



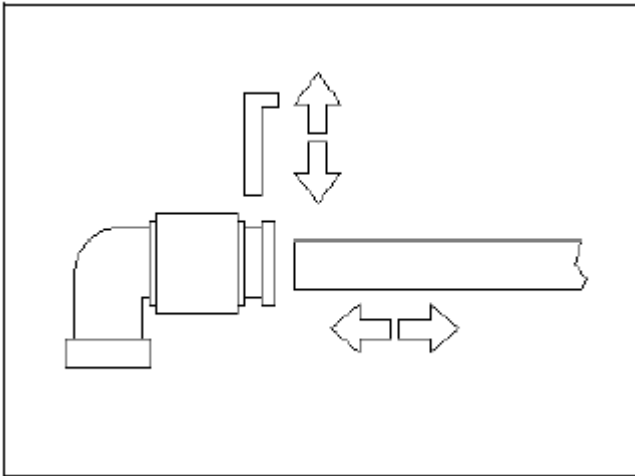
## WE-UF-01 model installation

2. Connect the piping to the tap as shown. Accessories are provided in the package list.



# WE-UF-01 model installation

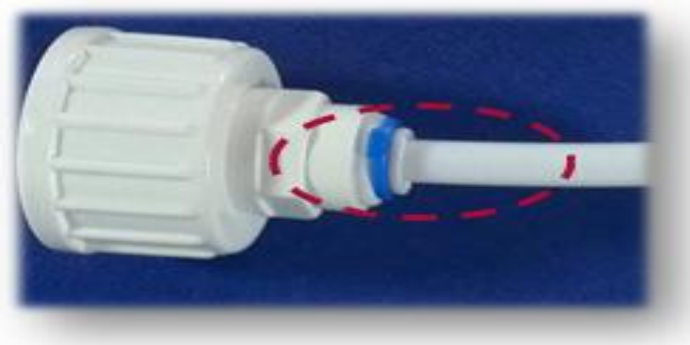
3. Connect the piping from the tap to the input of PP filter



Quick connector fitting can fit tubing without any tool.

For tubing removal or connect, remove the secure clip on the fitting, then plug in or pull out the PE tubing. Finally, insert secure clip back onto connector. Pull tubing slightly to ensure that it is secure.

Do not lost the secure clip on the connector.



## WE-UF-01 model installation

4. PP filter output is connected to the purifier.



Tap water

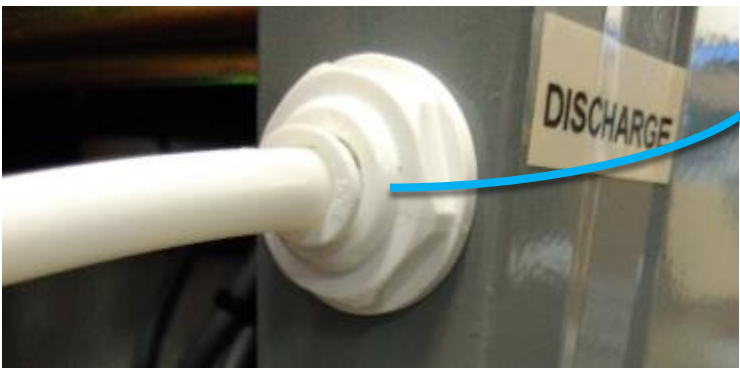
Filter out

Filter in

Purifier IN

# VaVie WE-UF-01 model installation

5. Connect purifier discharge piping to sink.



## WE-UF-01 model installation

6. Connect power adapter to the purifier and turn ON the power.

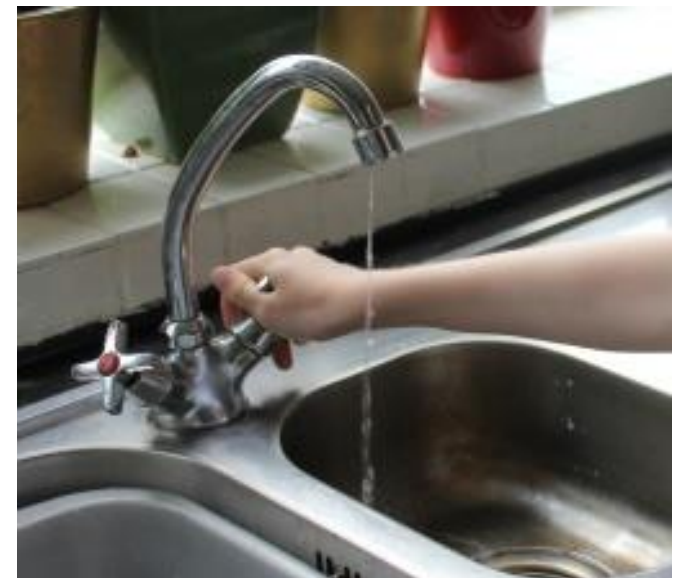
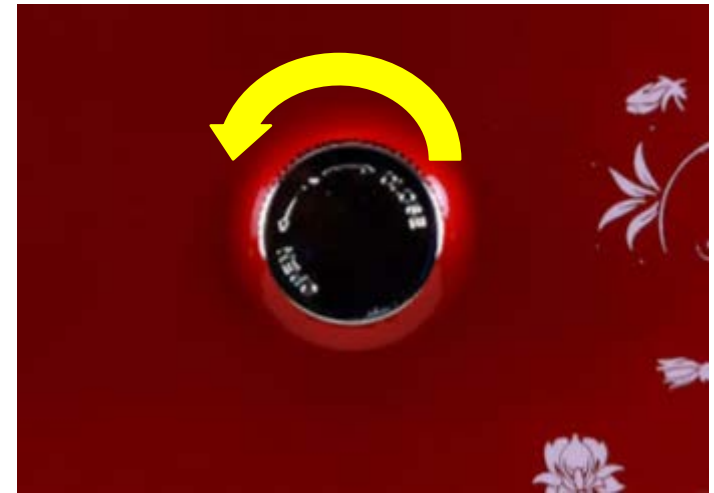




## WE-UF-01 model installation

7. Ensure that the manual knob of the purifier is fully turned to ON position.

Slowly turn ON the feed tap and control the flow rate required for alkaline water to be produced.





## WE-UF-01 model installation

8. Water will be flowing out from the output. Let the water run for 1 minute to make sure there is no water leakage and all excess pipe pressure is released.

Once purified water comes from the output for 1 min, turn ON the “Alkaline” push button. Blue LED will light up.

The output will be alkaline water of mild range. Please note that discharge water will be produced while dispensing alkaline water.



## 9. Filters

- Filters should be replaced regularly to ensure that the output water from the purifier removes all impurities and provides clean purified water.



## WE-UF-01 model installation

## 9. Filters

Name	Recommended Replacement Cycle
External PP filter	6 months
Activated carbon fiber filter (ACF)	6 months
Ultrafiltration membrane filter (UF)	1 year

**Note:**

As the life of filter degrades due to the change of raw water temperature, raw water pressure, raw water quality, purified water usage and the use of the environment and so on, users should replace their filter according to the actual situation.



# WE-UF-01 model installation

## 10. Filter replacement procedure

Step 1: Ensure that the purifier power supply is OFF. Turn OFF the tap water supply also. Place the purifier facing in upward direction.



Step 2: Unscrew the nylon rivet on the top right side of the purifier.

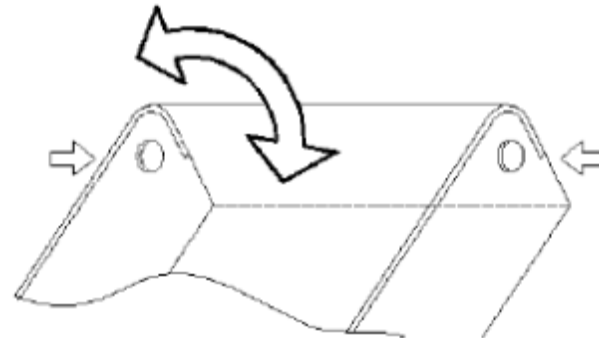


# WE-UF-01 model installation

## 10. Filter replacement

Step 3: Press the 2 buttons near the top simultaneously to remove the cover.

Step 4: There will be 2 filters inside the purifier unit (ACF and UF). PP filter is fixed outside the dispenser.



For maintenance, depress the 2 buttons near the top of the water purifier unit and remove cover.



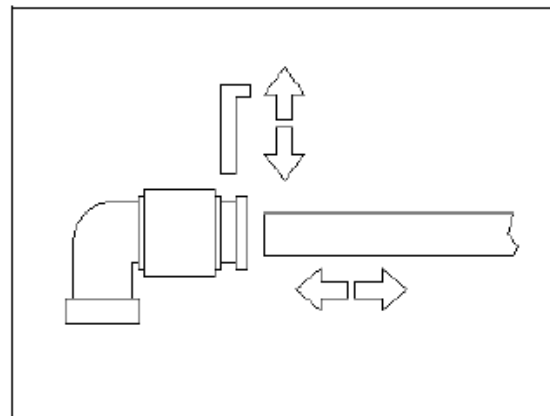
## WE-UF-01 model installation

### 10. Filter replacement

#### Step 5:

Quick connector fitting can fit tubing without any tool.

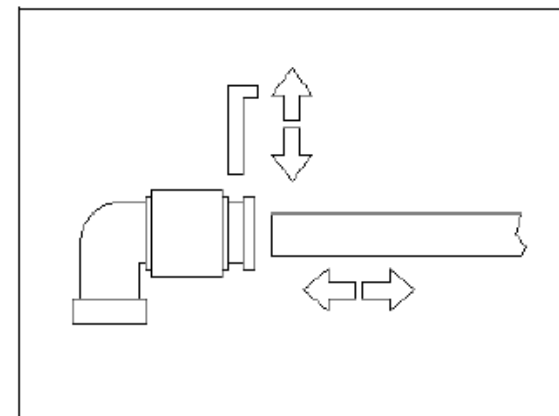
For tubing removal or connect, remove the secure clip on the fitting, then plug in or pull out the PE tubing. Finally, insert secure clip back onto connector. Pull tubing slightly to ensure that it is secure.



## WE-UF-01 model installation

## 10. Filter replacement

Step 6: Replace with the new filter and follow the same procedure to replace back.



Quick connector fitting can fit tubing without any tool.

For tubing removal or connect, remove the secure clip on the fitting, then plug in or pull out the PE tubing. Finally, insert secure clip back onto connector. Pull tubing slightly to ensure that it is secure.

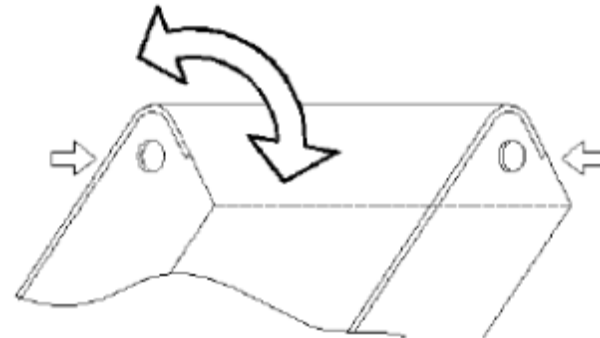


# WE-UF-01 model installation

## 10. Filter replacement

Step 7: The purifier is then covered till the 2 buttons near the top rests properly. Screw back the nylon rivet so that the chassis is completely covered.

Step 8: Turn ON power supply and slowly increase the tap water supply to get the output water from the purifier.



For maintenance, depress the 2 buttons near the top of the water purifier unit and remove cover.



1 x Alkaline Water Purifier



2 x 2m length PE pipe



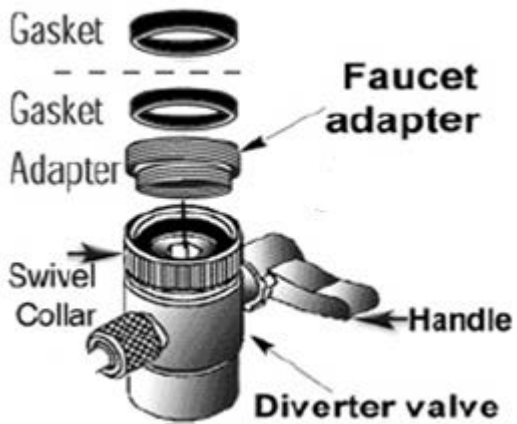
PP filter



1 x manual valve



3 x L joints



1 x Switching power supply



2 sets of wall mount screws

## FAQs

### 1) **Where can I install the VaVie WE-UF-01?**

VaVie WE-UF-01 can be installed in home, offices and schools to meet the different needs of people.

### 2) **What do I need to install the purifier?**

The purifier requires a power socket to turn ON. Need piping from tap to the filter, then filter to the purifier. It also needs piping to connect discharge water to sink produced while dispensing alkaline water.

### 3) **Can I use tap water to connect to the dispenser?**

Yes, this purifier uses tap water as input. So this is mostly used in kitchens or table tops which has easy access to tap water source.

## FAQs

### 4) How do I buy the purifier?

You can buy the purifier from our online store at [www.vavie.com.sg](http://www.vavie.com.sg)

### 5) Am I entitled for free installation?

Installation will be free within Singapore. For customers outside Singapore, you may need to check with our authorized dealers.

### 6) What will be done during installation?

Our service technician will install the water purifier and ensures that all the purifier features are working properly – piping without any water leakages, can produce alkaline water etc.

## FAQs

### **7) Why am I not able to get output water from the purifier?**

Ensure that the manual knob of the purifier is fully open.

Also, check whether the feed water tap is fully open. If not, then slowly increase the tap water flow till output water from purifier is obtained.

Also check whether the power supply to the dispenser is ON. There will not be any water output when it is in OFF condition.

### **8) Why am I not able to get alkaline water from the dispenser?**

Ensure that the manual knob of the purifier is fully open.

Also, check whether the feed water tap is fully open. If not, then slowly increase the tap water flow till output water from purifier is obtained.

Also check whether the “Alkaline” push button is ON. It is indicated by the Blue LED. There will not be any alkaline water when it is in OFF condition.

## FAQs

### 9) Alkaline water pH is not 8.5. How do I adjust?

Alkaline water will never be an exact value of pH 8.5 as there are many external factors involved in maintaining the pH such as temperature, flow, type of water etc. Hence, the tolerance is set as +/- 0.5 from the specified value.

### 10) “Alkaline” LED is blinking. What should I do?

When the LED starts blinking,

- (a) 4 times for every 1 second, it means that the tap water is too pure to provide alkaline water output.
- (b) 2 times for every 1 second, it means that the tap water flow rate is too low. Increase the tap water flow rate for the purifier to provide alkaline water.
- (c) 1 time for every 1 second, it means that the self-cleaning is in progress. After 15 sec, the blinking will stop and output water can be used.

## FAQs

**11) What should I do when there is water leakage?**

Turn OFF the power supply, tap water supply and call the service center. We will check for pipe leakages.

**12) Water starts to taste different. What is the problem?**

When the output water starts to taste different, then it is time to change the filters.

Each filter has its own functions and features. You may follow the below guideline on when to change the filters.

Name	Recommended Replacement Cycle
External PP filter	3~6 months
Activated carbon fiber filter (ACF)	10~12 months
Ultrafiltration membrane filter (UF)	1~2 years



## FAQs

**13) I do not get the water output even after changing filters. What should I do?**

Ensure that the filters are changed properly without any water leakages. If problem still exists, please turn OFF the water supply and purifier. Call the service center.

If any of the above problems still exist, contact our service center (for Singapore) at +65 – 68482567. For other countries outside Singapore, please contact the authorized dealers.